

**1. Charge:** Connect to computer USB interface or charger. During the normal process to avoid the possible damage for computer and recorder.  
Please make sure to disconnect the device in accordance with the operating system, driver and USB cable are all in normal condition. If the computer is unable to identify the hardware yet, make sure your removable disk long time, disconnect and reconnect the device. If the bad impact of computer hardware, if the computer does not identify the slight difference for the time of identifying removable disk. Please be patient. During this period, please do not press the button to avoid the Note: According to the computer or system configuration, there will be disconnection completes.

**2. Connect the computer:** In standby or OFF mode, you can connect the drivers on the CD or dealers provided.  
Note: According to the computer system configuration or difference, the camera and connect the camera to the computer again. If you are the first time to use the PC camera mode on your computer, please install friends online video chat, take photos, and so on.

**3. PC camera:** When the power is on, you can connect the device with computer USB interface, you can enter the PC Camera (webcam) mode. In this mode, your camera can be used as a PC camera, with your Note: Make sure there is adequate light in the surrounding and the camera is not blocked by other items. Keep the camera upright and order to ensure good sound effect of recording, do not block the microphone hole.

**4. Record video:** In the video mode, the device enters into the standby status for video recording. Now the red light is on. Press the button (1) for short time to start the video recording. The red light flashes slowly. When the red indicator light flashes, press the button for short time to stop recording and save the file. Afterward the red light returns to ON mode. In order to ensure the safety and the size of the file, the system will automatically save file every 50 minutes once, and continue the video recording.  
Note: Make sure there is adequate light in the surrounding and the camera is not blocked by other items. Keep the camera upright and order to ensure good sound effect of recording, do not block the microphone hole.

**5. ON/OFF:** Press button (1) for 2 seconds to start the device. It gets into the video recording mode. Meanwhile the red video indicator is on. When the indicator light is on, press the button for 3 seconds. the device will automatically save the current video file and shutdown.

**6. Record video:** In the video mode, the device enters into the standby status for video recording. Now the red light is on. Press the button (1) for short time to start the video recording. The red light flashes slowly. When the red indicator light flashes, press the button for short time to stop recording and save the file. Afterward the red light returns to ON mode. In order to ensure the safety and the size of the file, the system will automatically save file every 50 minutes once, and continue the video recording.

**7. Note:** Make sure there is adequate light in the surrounding and the camera is not blocked by other items. Keep the camera upright and order to ensure good sound effect of recording, do not block the microphone hole.

**8. PC camera:** When the power is on, you can connect the device with computer USB interface, you can enter the PC Camera (webcam) mode. In this mode, your camera can be used as a PC camera, with your Note: Make sure there is adequate light in the surrounding and the camera is not blocked by other items. Keep the camera upright and order to ensure good sound effect of recording, do not block the microphone hole.

**9. Connect the computer:** In standby or OFF mode, you can connect the drivers on the CD or dealers provided.  
Note: According to the computer system configuration or difference, the camera and connect the camera to the computer again. If you are the first time to use the PC camera mode on your computer, please install friends online video chat, take photos, and so on.

**10. Charge:** Connect to computer USB interface or charger. During the normal process to avoid the possible damage for computer and recorder.  
Please make sure to disconnect the device in accordance with the operating system, driver and USB cable are all in normal condition. If the computer is unable to identify the hardware yet, make sure your removable disk long time, disconnect and reconnect the device. If the bad impact of computer hardware, if the computer does not identify the slight difference for the time of identifying removable disk. Please be patient. During this period, please do not press the button to avoid the Note: According to the computer or system configuration, there will be disconnection completes.

**11. Record video:** In the video mode, the device enters into the standby status for video recording. Now the red light is on. Press the button (1) for short time to start the video recording. The red light flashes slowly. When the red indicator light flashes, press the button for short time to stop recording and save the file. Afterward the red light returns to ON mode. In order to ensure the safety and the size of the file, the system will automatically save file every 50 minutes once, and continue the video recording.

**12. Note:** Make sure there is adequate light in the surrounding and the camera is not blocked by other items. Keep the camera upright and order to ensure good sound effect of recording, do not block the microphone hole.

**13. PC camera:** When the power is on, you can connect the device with computer USB interface, you can enter the PC Camera (webcam) mode. In this mode, your camera can be used as a PC camera, with your Note: Make sure there is adequate light in the surrounding and the camera is not blocked by other items. Keep the camera upright and order to ensure good sound effect of recording, do not block the microphone hole.

**14. Connect the computer:** In standby or OFF mode, you can connect the drivers on the CD or dealers provided.  
Note: According to the computer system configuration or difference, the camera and connect the camera to the computer again. If you are the first time to use the PC camera mode on your computer, please install friends online video chat, take photos, and so on.

**15. Charge:** Connect to computer USB interface or charger. During the normal process to avoid the possible damage for computer and recorder.  
Please make sure to disconnect the device in accordance with the operating system, driver and USB cable are all in normal condition. If the computer is unable to identify the hardware yet, make sure your removable disk long time, disconnect and reconnect the device. If the bad impact of computer hardware, if the computer does not identify the slight difference for the time of identifying removable disk. Please be patient. During this period, please do not press the button to avoid the Note: According to the computer or system configuration, there will be disconnection completes.

**16. Record video:** In the video mode, the device enters into the standby status for video recording. Now the red light is on. Press the button (1) for short time to start the video recording. The red light flashes slowly. When the red indicator light flashes, press the button for short time to stop recording and save the file. Afterward the red light returns to ON mode. In order to ensure the safety and the size of the file, the system will automatically save file every 50 minutes once, and continue the video recording.

**17. Note:** Make sure there is adequate light in the surrounding and the camera is not blocked by other items. Keep the camera upright and order to ensure good sound effect of recording, do not block the microphone hole.

**18. PC camera:** When the power is on, you can connect the device with computer USB interface, you can enter the PC Camera (webcam) mode. In this mode, your camera can be used as a PC camera, with your Note: Make sure there is adequate light in the surrounding and the camera is not blocked by other items. Keep the camera upright and order to ensure good sound effect of recording, do not block the microphone hole.

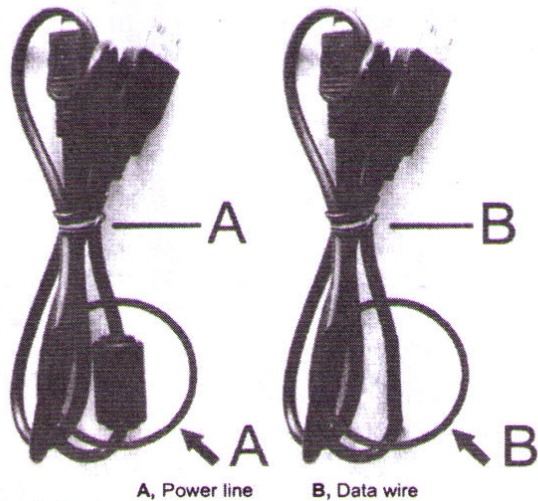
**19. Connect the computer:** In standby or OFF mode, you can connect the drivers on the CD or dealers provided.  
Note: According to the computer system configuration or difference, the camera and connect the camera to the computer again. If you are the first time to use the PC camera mode on your computer, please install friends online video chat, take photos, and so on.

**20. Charge:** Connect to computer USB interface or charger. During the normal process to avoid the possible damage for computer and recorder.  
Please make sure to disconnect the device in accordance with the operating system, driver and USB cable are all in normal condition. If the computer is unable to identify the hardware yet, make sure your removable disk long time, disconnect and reconnect the device. If the bad impact of computer hardware, if the computer does not identify the slight difference for the time of identifying removable disk. Please be patient. During this period, please do not press the button to avoid the Note: According to the computer or system configuration, there will be disconnection completes.

**21. Record video:** In the video mode, the device enters into the standby status for video recording. Now the red light is on. Press the button (1) for short time to start the video recording. The red light flashes slowly. When the red indicator light flashes, press the button for short time to stop recording and save the file. Afterward the red light returns to ON mode. In order to ensure the safety and the size of the file, the system will automatically save file every 50 minutes once, and continue the video recording.

**22. Note:** Make sure there is adequate light in the surrounding and the camera is not blocked by other items. Keep the camera upright and order to ensure good sound effect of recording, do not block the microphone hole.

**I. Optional accessories:**



**Wire A:** This is an optional accessories can only be used in our products. Sometimes, you want get a longer work time of your product. You should connect this wire to your device. It can supplies continuous power to compensate for the capacity of the battery. It is only allowed to connect to the USB interface of computer and standard chargers has output voltage DC 5V and current greater than 250mA.

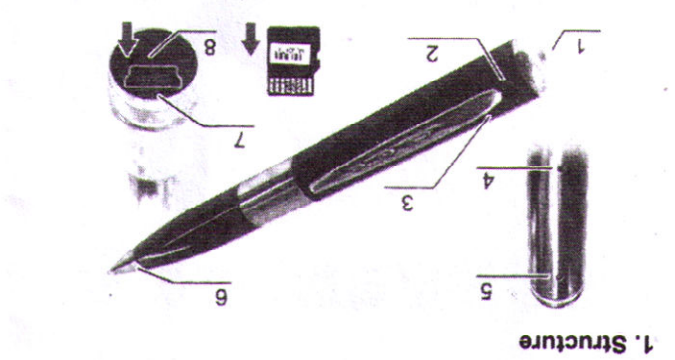
**Note:** In order to protect the machine from damage when you connect the wire to the device or remove the wire, please make sure your device's power has been turned off. This wire can also be used to charge, but the device's indicator light will not work.

**Wire B:** This wire is generic usb cable, primarily used for data transmission and charging. The specific data transfer and charging status indicator please refer to Chapter 3.e and 3.f describes.

**3. Operating**  
a.1 Indicator: Part(5) is status indicator. Blue light is a photo mode indicator. Red light is video mode indicator.  
a.2 Micro SD Socket: Part (8) is Micro SD (TF) Card socket, insert the card with direction arrow please.  
a.3 Button(1): Press the button to turn on, turn off, start/stop, video recording, sound recording.  
a.4 Socket: USB socket (7) is used to connect computer or charger. It is the interface for data transfer and charging.  
a.5 Microphone and camera: Microphone (3) is used to get the sound signal. Camera(2) is used to get the image signal.  
a.6 Reset: If the video recorder stops responding, please use the suitable non-metallic tool to push the reset button(4).  
a.7 Ball-point Pen: Part(6) use for writing.

**2. Introduction**  
This ball-point pen is a high-definition video recorder. You can recording high-definition video, recording high-quality audio. With simple operation, elegant design, small size, it is easy to carry. It is an essential utility in business, education, security, media, justice, tourism, health care, living and other field.

- 1: operation button
- 2: camera
- 3: MIC
- 4: reset button
- 5: status indicator
- 6: ball-point pen
- 7: USB
- 8: TF card Socket



**HD Video Recorder Manual (Ball-point pen Type)**



**Remark:** This picture only for reference

